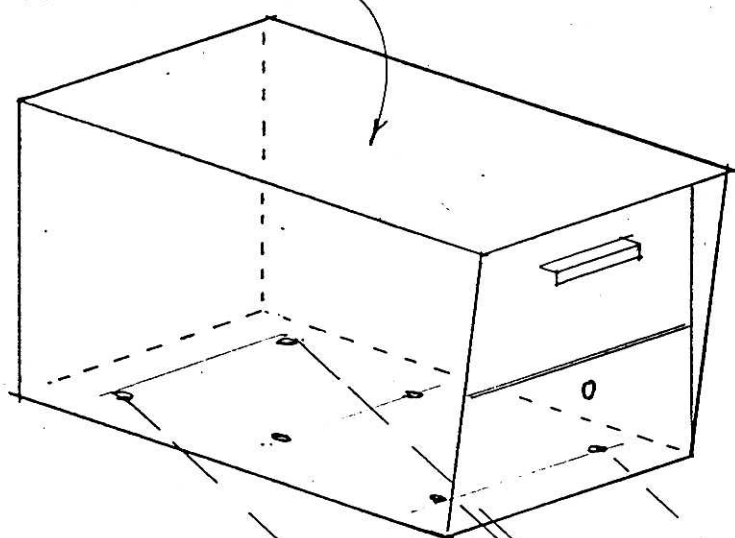


Cat 7 - Alternate Approved Mailbox

Black, metal, lockable mailbox with smooth un-textured sides and top, of the following dimensions:
18-24 inches deep x 15-20 inches tall x 11-14 inches wide.
Shall be mounted to the current lamp post in place of current US #2 mailbox.

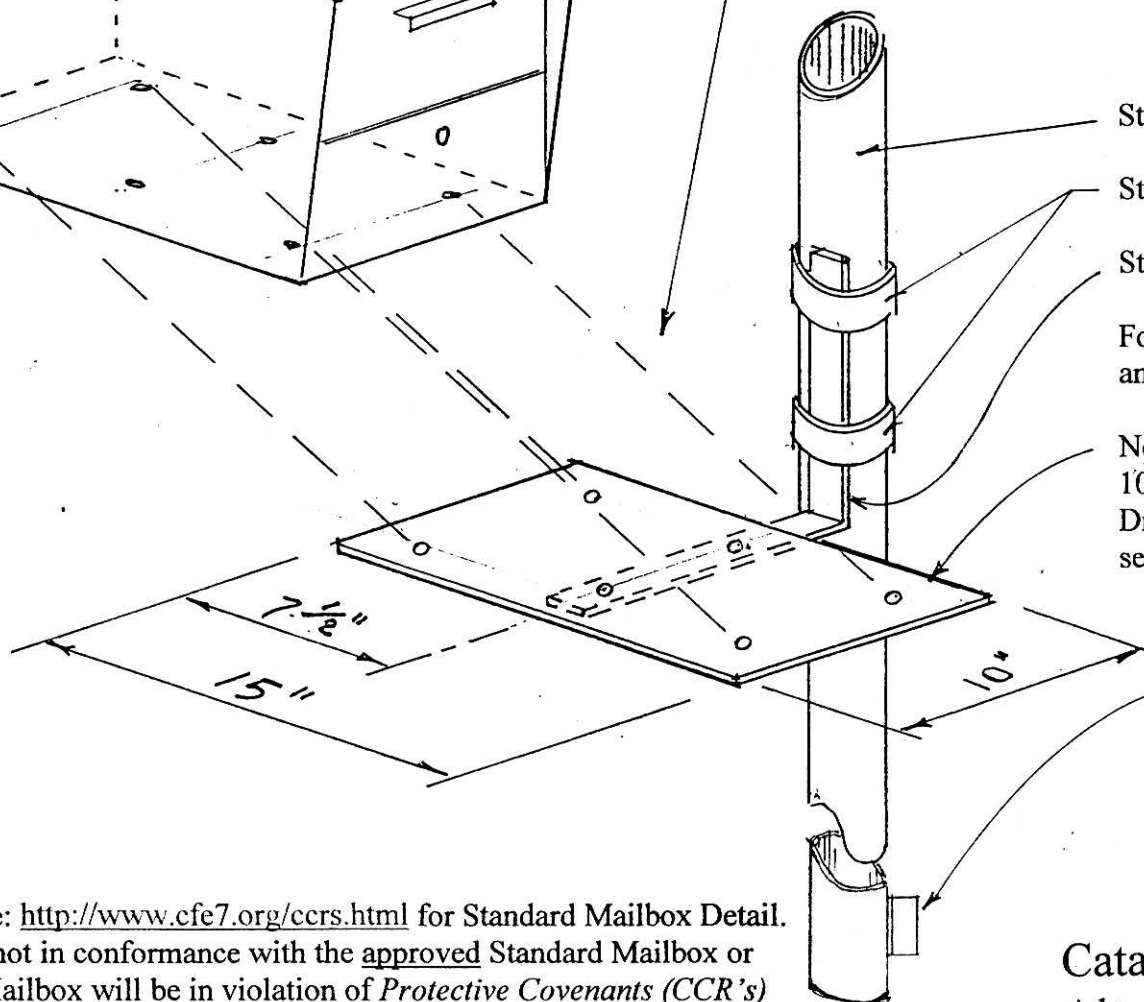


Alternate Mailbox Attachment

Thru bolt mailbox to mounting plate to existing bracket:
Use (2) 1/4"-20 pan head spanner "security machine screw", washer and nut on interior side of mailbox floor.

Thru bolt mailbox to mounting plate:
Use (4) 6-32 or 1/4"-20 pan head spanner "security machine screw", washer and nut on interior side of mailbox floor.

NOTE: If standard bolts are used, mailbox could be tampered with.



Standard: 3-1/2" diameter iron pipe post.

Standard: (2) 1-1/2" x 3/16" metal collar straps

Standard: 2" x 3/16" metal "L" bracket

For Alternate Approved Mailbox: remove (2) metal angles used to support the standard US #2 mailbox.

New:
10" x 15" x 3/16" steel mounting plate.
Drill (6) holes thru mounting plate and existing bracket, see Alternate Mailbox Attachment.

Optional: Add UL rated electrical junction box.
Per Code.

See website: <http://www.cfe7.org/ccrs.html> for Standard Mailbox Detail.
Mailboxes not in conformance with the approved Standard Mailbox or Alternate Mailbox will be in violation of *Protective Covenants (CCR's)* of Catalina Foothills Estates No. 7.

Catalina Foothills Estates #7
Alternate Approved Mailbox Installation
8/2009